



MIAMI-DADE COUNTY  
 PRODUCT CONTROL SECTION  
 11805 SW 26 Street, Room 208  
 Miami, Florida 33175-2474  
 T (786) 315-2590 F (786) 315-2599  
[www.miamidade.gov/economy](http://www.miamidade.gov/economy)

DEPARTMENT OF REGULATORY AND ECONOMIC RESOURCES (RER)  
 BOARD AND CODE ADMINISTRATION DIVISION  
**NOTICE OF ACCEPTANCE (NOA)**

**Sto Corporation**  
**3800 Camp Creek Parkway Bldg. 1400 Suite 120**  
**Atlanta, GA 30331**

**SCOPE:** This NOA is being issued under the applicable rules and regulations governing the use of construction materials. The documentation submitted has been reviewed and accepted by Miami-Dade County RER-Product Control Section to be used in Miami-Dade County and other areas where allowed by the Authority Having Jurisdiction (AHJ).

This NOA shall not be valid after the expiration date stated below. The Miami-Dade County Product Control Section (In Miami-Dade County) and/ or the AHJ (in areas other than Miami-Dade County) reserve the right to have this product or material tested for quality assurance purposes. If this product or material fails to perform in the accepted manner, the manufacturer will incur the expense of such testing and the AHJ may immediately revoke, modify, or suspend the use of such product or material within their jurisdiction. RER reserves the right to revoke this acceptance if it is determined by Miami-Dade County Product Control Section that this product or material fails to meet the requirements of the applicable building code.

This product is approved as described herein and has been designed to comply with the Florida Building Code, including the High Velocity Hurricane Zone.

**DESCRIPTION: StoTherm ci - PLY SF/WF EIFS Systems over 5/8" Plywood Sheathing**

**APPROVAL DOCUMENT:** Drawing No. PLY SF/WF, titled "StoTherm CI - PLY SF/WF for Large Missile Impact Resistance EIFS with Steel and Wood Framing", sheets 1 through 4 of 4, dated 04/28/2023, prepared by Sto Corporation, signed and sealed by William R Heiden III, P.E., bearing the Miami-Dade County Product Control revision stamp with the Notice of Acceptance number and expiration date by the Miami-Dade County Product Control Section.

**MISSILE IMPACT RATING: Large and Small Missile Impact Resistant.**

**LABELING:** Each unit shall bear a permanent label with the manufacturer's name or logo, model (CI HI-SF/ WF), city, state and following statement: "Miami-Dade County Product Control Approved", unless otherwise noted herein. Each container (bucket or drum) needs to be labeled. Unit is further defined as each roll of reinforcing mat or mesh.

**RENEWAL** of this NOA shall be considered after a renewal application has been filed and there has been no change in the applicable building code negatively affecting the performance of this product.

**TERMINATION** of this NOA will occur after the expiration date or if there has been a revision or change in the materials, use, and/ or manufacture of the product or process. Misuse of this NOA as an endorsement of any product, for sales, advertising or any other purposes shall automatically terminate this NOA. Failure to comply with any section of this NOA shall be cause for termination and removal of NOA.

**ADVERTISEMENT:** The NOA number preceded by the words Miami-Dade County, Florida, and followed by the expiration date may be displayed in advertising literature. If any portion of the NOA is displayed, then it shall be done in its entirety.

**INSPECTION:** A copy of this entire NOA shall be provided to the user by the manufacturer or its distributors and shall be available for inspection at the job site at the request of the Building Official.

This NOA **renews** and **revises** NOA # **21-0708.10** consists of this page 1 and evidence page E-1 and E-2, as well as approval document mentioned above.

The submitted documentation was reviewed by **Carlos M. Utrera, P.E.**



NOA No. 23-0328.03  
 Expiration Date: June 21, 2028  
 Approval Date: June 1, 2023  
 Page 1

**Sto Corporation**

**NOTICE OF ACCEPTANCE: EVIDENCE SUBMITTED**

**1. EVIDENCE SUBMITTED UNDER PREVIOUS NOA's**

**A. DRAWINGS**

1. Drawing No. **HI-PLY SF/WF**, titled "StoTherm ci HI-PLY SF/WF for Large Missile Impact Resistance EIFS", sheets 1 through 4 of 4, dated 05/04/2018, prepared by Sto Corporation, signed and sealed by Kurt W. Heinrichs, P.E.

**B. TESTS**

1. Test reports on
  - 1) Air Infiltration Test, per FBC, TAS 202-94
  - 2) Uniform Static Air Pressure Test, Loading per FBC TAS 202-94
  - 3) Water Resistance Test, per FBC, TAS 202-94
  - 4) Cyclic Wind Pressure Loading per FBC, TAS 203-94along with marked-up drawings and installation diagram of StoTherm ci HI-PLY SF EIFS System, prepared by Intertek/ATI, Test Report No. **G5683.02-550-18**, dated 10/17/2017, signed and sealed by Justin P. McDonald, P.E.
2. Test reports on
  - 1) Air Infiltration Test, per FBC, TAS 202-94
  - 2) Uniform Static Air Pressure Test, Loading per FBC TAS 202-94
  - 3) Water Resistance Test, per FBC, TAS 202-94
  - 4) Cyclic Wind Pressure Loading per FBC, TAS 203-94along with marked-up drawings and installation diagram of StoTherm ci HI-PLY WF EIFS System, prepared by Intertek/ATI, Test Report No. **G5683.03-550-18**, dated 03/17/2017, signed and sealed by Justin P. McDonald, P.E.

**C. CALCULATIONS**

1. None.

**D. QUALITY ASSURANCE**

1. Miami-Dade Department of Regulatory and Economic Resources (RER)

**E. MATERIAL CERTIFICATIONS**

1. None.

**F. STATEMENTS**

1. Statement of code conformance to the 6<sup>th</sup> edition (2017) FBC issued by Nova Engineering and Environmental, LLC, dated 03/07/2018, signed and sealed by Kurt W. Heinrichs, P.E.
2. Statement letter of no financial interest issued by Nova Engineering and Environmental, LLC, dated 02/23/2018, signed and sealed by Kurt W. Heinrichs, P.E.



---

**Carlos M. Utrera, P.E.**  
**Product Control Examiner**  
**NOA No. 23-0328.03**  
**Expiration Date: June 21, 2028**  
**Approval Date: June 1, 2023**

**Sto Corporation**

**NOTICE OF ACCEPTANCE: EVIDENCE SUBMITTED**

**2. EVIDENCE SUBMITTED UNDER NOA # 21-0708.10 AND NEW**

**A. DRAWINGS**

1. Drawing No. **PLY SF/WF**, titled “StoTherm CI - PLY SF/WF for Large Missile Impact Resistance EIFS with Steel and Wood Framing”, sheets 1 through 4 of 4, dated 04/28/2023, prepared by Sto Corporation, signed and sealed by William R Heiden III, P.E.

**B. TESTS**

1. Test reports on
  - 1) Air Infiltration Test, per FBC, TAS 202-94
  - 2) Uniform Static Air Pressure Test, Loading per FBC TAS 202-94
  - 3) Water Resistance Test, per FBC, TAS 202-94
  - 4) Cyclic Wind Pressure Loading per FBC, TAS 203-94along with marked-up drawings and installation diagram of StoTherm ci PLY SF EIFS System, prepared by Intertek, Test Report No. **P7210.01-550-18 R0**, dated 03/03/2023, signed and sealed by Tanya A. Dolby, P.E.

**C. CALCULATIONS**

1. None.

**D. QUALITY ASSURANCE**

1. Miami-Dade Department of Regulatory and Economic Resources (RER).

**E. MATERIAL CERTIFICATIONS**

1. None.

**F. STATEMENTS**

1. Statement of code conformance to the 7<sup>th</sup> edition (2020) FBC issued by Nova Engineering and Environmental, LLC, dated 06/22/2021, signed and sealed by Kurt W. Heinrichs, P.E.
2. Statement letter dated June 16, 2021, issued by Sto requesting Product renewal without change and FBC 2020 update, signed by Kevin Schroeder, Senior Tech Rep.



---

**Carlos M. Utrera, P.E.**  
**Product Control Examiner**  
**NOA No. 23-0328.03**  
**Expiration Date: June 21, 2028**  
**Approval Date: June 1, 2023**

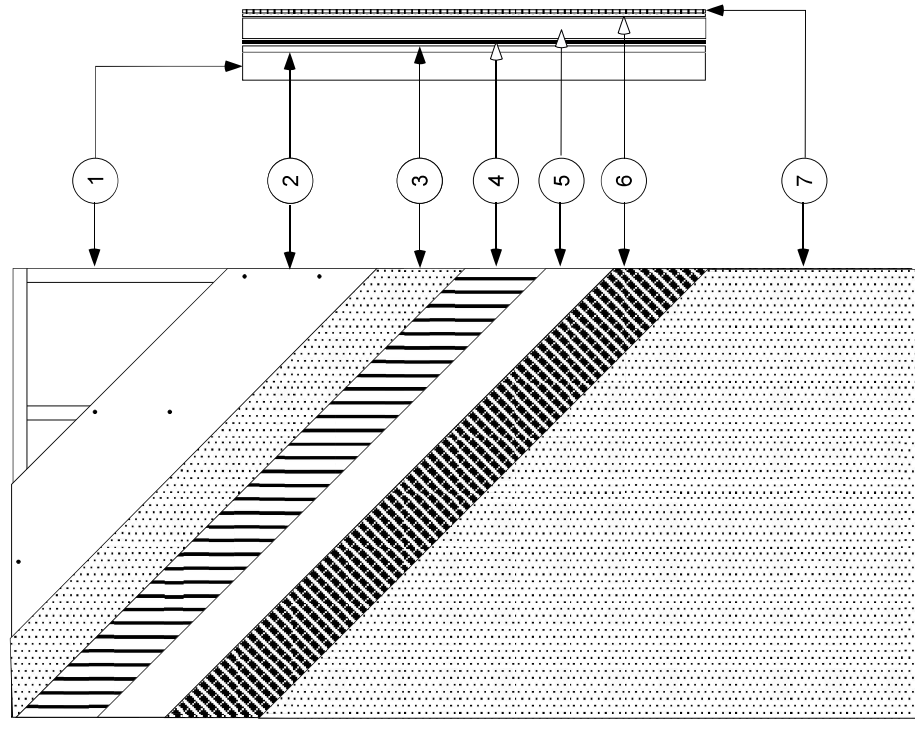
**DESCRIPTION: STOTHERM CI - PLY SF (STEEL FRAMING WITH PLYWOOD SHEATHING)**

**COMPONENTS AND INSTALLATION**

- 1 18 GA., 6 IN. x 1 5/8 IN. STEEL STUDS AT 16" O.C. - SEE GENERAL NOTES 4, 5 AND 6
- 2 MINIMUM 5/8 IN., 5-PLY IMPACT RESISTANT PLYWOOD SHEATHING FASTENED WITH MINIMUM 1-1/4 IN. S-12 SCREWS AT MAXIMUM 6 INCHES O.C. ALONG STUDS AND AT PERIMETER
- 3 STOGUARD WITH STO GOLD COAT AIR/MOISTURE BARRIER APPLIED TO SHEATHING PER MANUFACTURER'S PUBLISHED PRODUCT INSTRUCTIONS
- 4 STO PRIMER/ADHESIVE-B BASE COAT MIXED AND APPLIED AS AN ADHESIVE PER MANUFACTURER'S PUBLISHED PRODUCT INSTRUCTIONS WITH A NOTCHED TROWEL FORMING VERTICAL RIBBONS FOR DRAINAGE.
- 5 MINIMUM 1 IN. THICK EPS INSULATION BOARD MEETING THE REQUIREMENTS OF FBC SECTION 2612. EPS SUPPLIER SHALL HAVE A CURRENT NOA WITH MIAMI-DADE COUNTY.
- 6 STO PRIMER/ADHESIVE-B BASE COAT MIXED AND APPLIED AS A BASE COAT PER MANUFACTURER'S PUBLISHED INSTRUCTIONS. STO MESH, 4.5 OZ./SQ.YD. SHALL BE FULLY EMBEDDED IN BASE COAT. FINAL THICKNESS OF BASE COAT WITH EMBEDDED MESH SHALL BE MINIMUM 1/16 IN.
- 7 STO FINISH APPLIED IN ACCORDANCE WITH MANUFACTURER'S PUBLISHED PRODUCT INSTRUCTIONS.

**GENERAL NOTES:**

1. THIS SYSTEM HAS BEEN DESIGNED IN ACCORDANCE WITH THE FLORIDA BUILDING CODE, 2020 EDITION.
2. THIS SYSTEM HAS BEEN TESTED IN ACCORDANCE WITH THE FLORIDA BUILDING CODE TAS 201, TAS 202, AND TAS 203.
3. THIS SYSTEM SHALL BE APPLIED BY A LICENSED PLASTERING CONTRACTOR.
4. THE ENGINEER OR ARCHITECT OF RECORD FOR EACH PROJECT USING THIS SYSTEM SHALL DESIGN THE FRAMING AND SHEATHING AS REQUIRED BY GOVERNING CODES AND THIS DOCUMENT.
5. ALL STUDS IN THIS SYSTEM SHALL BE COMPLETELY SHEATHED AT THE INTERIOR FLANGE OR BRIDGED AT A MAXIMUM EVERY 5 FT. OF STUD LENGTH OR AS SPECIFIED BY THE STUD MANUFACTURER.
6. ALL STEEL STUDS SHALL BE STRUCTURAL WITH 1 5/8 IN. MINIMUM FLANGE WIDTH AND A MINIMUM YIELD STRENGTH OF 33000 psi.

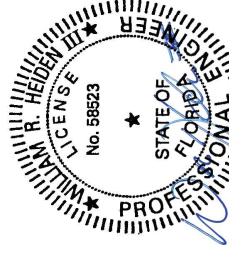


**Design Pressure Rating**

**+/- 125 psf**

(NOTE: DESIGN PRESSURE RATING FOR STEEL FRAMING ASSEMBLY. SEE PAGE 2 OF 4 FOR DESIGN PRESSURE AND OTHER NOTES USING WOOD FRAMING)

Review by:



**PRODUCT REVISED**  
as complying with the Florida Building Code  
NOA-No. 23-0328.03  
Expiration Date 06/21/2028  
By: [Signature]  
Miami-Dade Product Control

**STOTHERM CI - PLY SF**  
LARGE MISSILE IMPACT RESISTANT EIFS  
WITH STEEL FRAMING

Sto Corp.  
3800 Camp Creek Pkwy  
Bldg. 1400, Ste 120  
Atlanta, GA 30331

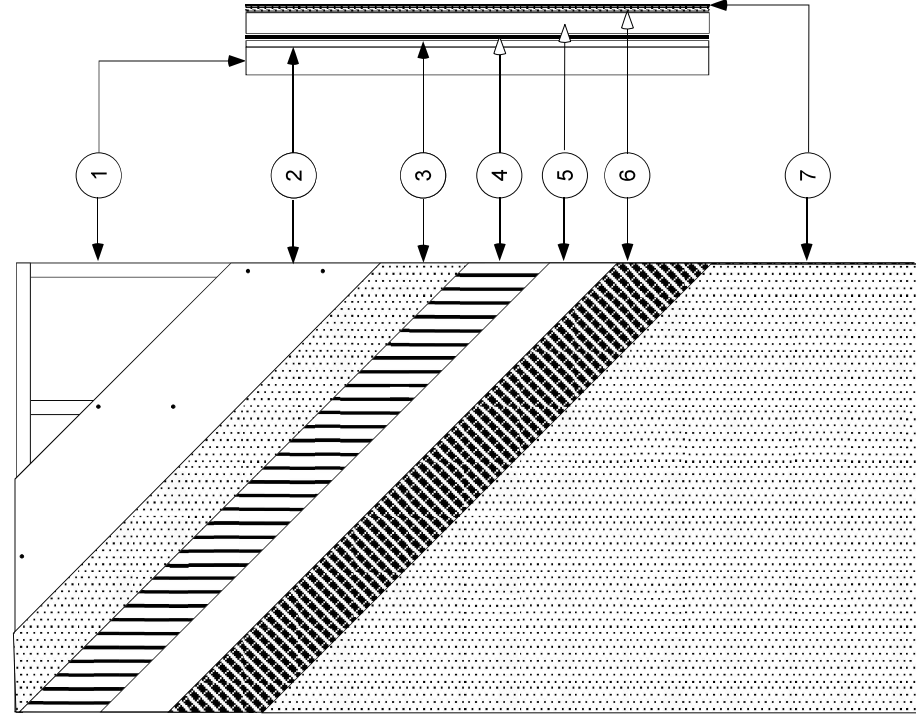
Drawing:  
PLY SF/WF  
PAGE 1 OF 4

March 2023

NOT TO SCALE

Drawn by: TLV

**DESCRIPTION: STOTHERM CI - PLY WF (WOOD FRAMING WITH PLYWOOD SHEATHING) COMPONENTS AND INSTALLATION**



1. MINIMUM 2 IN. X 4 IN. (NOMINAL) WOOD STUDS AT 16 IN. O.C. SPF, GRADE 2 KILN DRIED -- SEE GENERAL NOTES NO. 4 AND 5.
2. MINIMUM 5/8 IN., 5-PLY PLYWOOD SHEATHING FASTENED TO FRAMING WITH MINIMUM 8D COMMON NAILS SPACED MAXIMUM 6 IN. O.C. ALONG STUDS AND AT PERIMETER
3. STOGUARD WITH STO GOLD COAT AIR/MOISTURE BARRIER APPLIED TO SHEATHING PER MANUFACTURER'S PUBLISHED PRODUCT INSTRUCTIONS
4. STO PRIMER/ADHESIVE-B BASE COAT MIXED AND APPLIED AS AN ADHESIVE PER MANUFACTURER'S PUBLISHED PRODUCT INSTRUCTIONS WITH A NOTCHED TROWEL FORMING VERTICAL RIBBONS FOR DRAINAGE.
5. MINIMUM 1 IN. THICK EPS INSULATION BOARD MEETING THE REQUIREMENTS OF FBC SECTION 2612. EPS SUPPLIER SHALL HAVE A CURRENT NOA WITH MIAMI-DADE COUNTY.
6. STO PRIMER/ADHESIVE-B BASE COAT MIXED AND APPLIED AS A BASE COAT PER MANUFACTURER'S PUBLISHED INSTRUCTIONS. STO MESH, 4.5 OZ./SQ.YD. SHALL BE FULLY EMBEDDED IN BASE COAT. FINAL THICKNESS OF BASE COAT WITH EMBEDDED MESH SHALL BE MINIMUM 1/16 IN.
7. STO FINISH APPLIED IN ACCORDANCE WITH MANUFACTURER'S PUBLISHED PRODUCT INSTRUCTIONS.

**GENERAL NOTES:**

1. THIS SYSTEM HAS BEEN DESIGNED IN ACCORDANCE WITH THE FLORIDA BUILDING CODE, 2020 EDITION.
2. THIS SYSTEM HAS BEEN TESTED IN ACCORDANCE WITH THE FLORIDA BUILDING CODE TAS 201, TAS 202, AND TAS 203.
3. THIS SYSTEM SHALL BE APPLIED BY A LICENSED PLASTERING CONTRACTOR.
4. THE ENGINEER OR ARCHITECT OF RECORD FOR EACH PROJECT USING THIS SYSTEM SHALL DESIGN THE FRAMING AND SHEATHING AS REQUIRED BY GOVERNING CODES AND THIS DOCUMENT.
5. ALL STUDS IN THIS SYSTEM SHALL BE COMPLETELY SHEATHED AT THE INTERIOR FLANGE OR BRIDGED AT A MAXIMUM EVERY 5 FT. OF STUD LENGTH OR AS REQUIRED BY CODE.

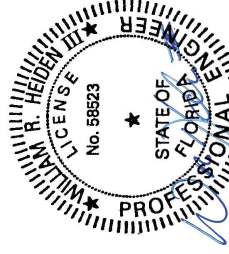
**Design Pressure Rating**

**+/- 100 psf**

(NOTE: DESIGN PRESSURE RATING FOR WOOD FRAMING ASSEMBLY. SEE PAGE 1 OF 4 FOR DESIGN PRESSURE AND OTHER NOTES USING STEEL FRAMING)

**PRODUCT REVISED**  
as complying with the Florida  
Building Code **23-0328.03**  
NOA-No. **23-0328.03**  
Expiration Date **06/21/2028**  
By *[Signature]*  
Miami-Dade Product Control

Review by:



April 28, 2023

**STOTHERM CI - PLY WF**

LARGE MISSILE IMPACT RESISTANT EIFS WITH WOOD FRAMING

Sto Corp.  
3800 Camp Creek Pkwy  
Bldg. 1400, Ste 120  
Atlanta, GA 30331

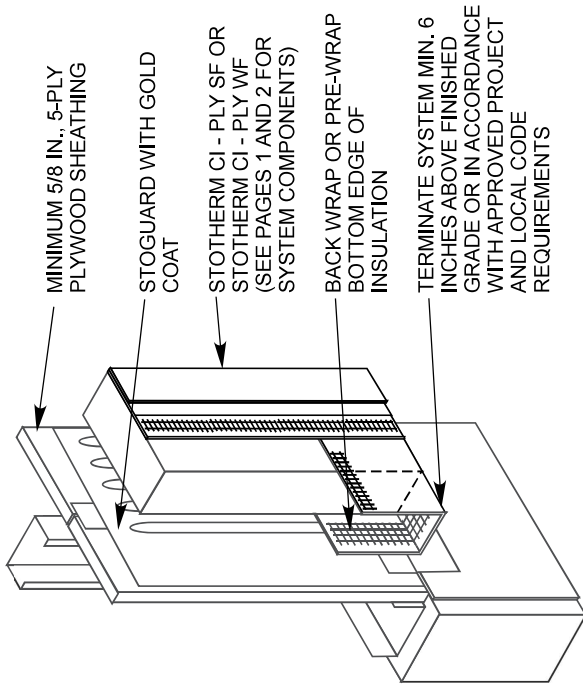
Drawing:  
PLY SF/WF  
PAGE 2 OF 4

March 2023

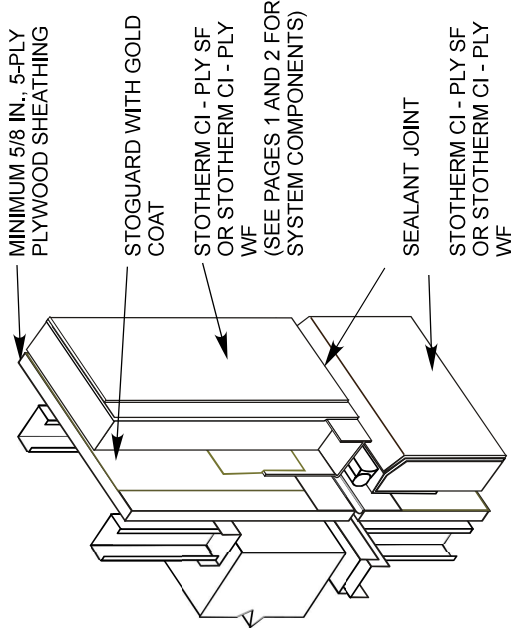
NOT TO SCALE

Drawn by: TLV

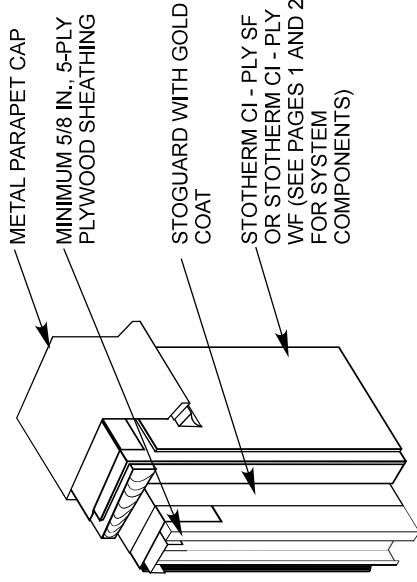
ADDITIONAL PRODUCT INSTALLATION INSTRUCTIONS AVAILABLE AT  
WWW.STOCORP.COM



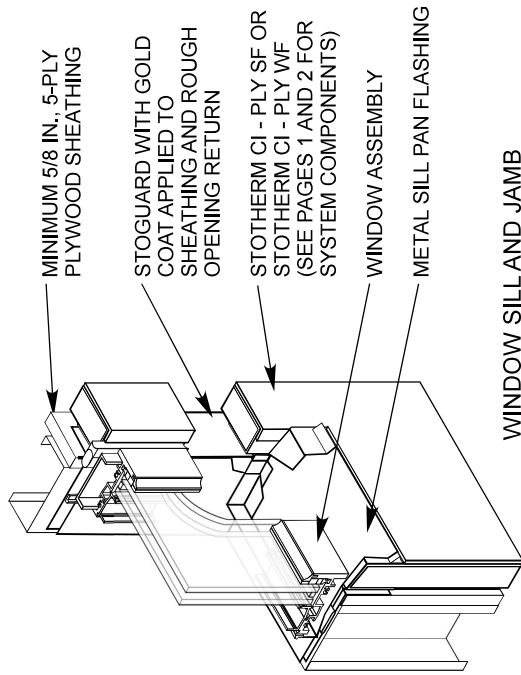
**TERMINATION AT GRADE OR  
BASE OF WALL**



**FLOOR LINE JOINT WITH  
EIFS STARTER TRACK**



**PARAPET CAP**

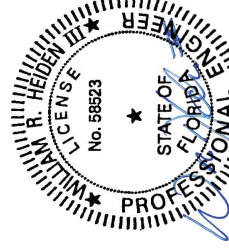


**WINDOW SILL AND JAMB**

**GENERAL NOTES:**

- 1) STOTHERM CI INSTALLATION SAME FOR BOTH STEEL AND WOOD FRAME OPTIONS. STEEL FRAME ONLY SHOWN FOR TYPICAL DETAILS

Review by:



April 28, 2023

**PRODUCT REVISED**  
as complying with the Florida  
Building Code  
NOA-No. 23-0328-03

Expiration Date 06/21/2028

By: *[Signature]*  
Miami-Dade Product Control

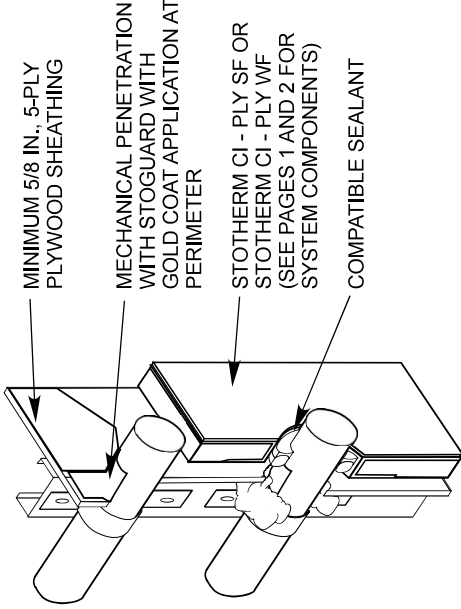
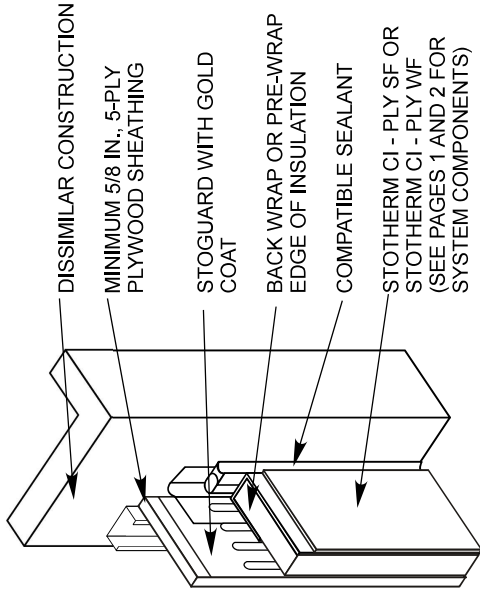
**STOTHERM CI - PLY SF / WF**  
LARGE MISSILE IMPACT RESISTANT EIFS  
TYPICAL DETAILS

Sto Corp.  
3800 Camp Creek Pkwy  
Bldg. 1400, Ste 120  
Atlanta, GA 30331

March 2023

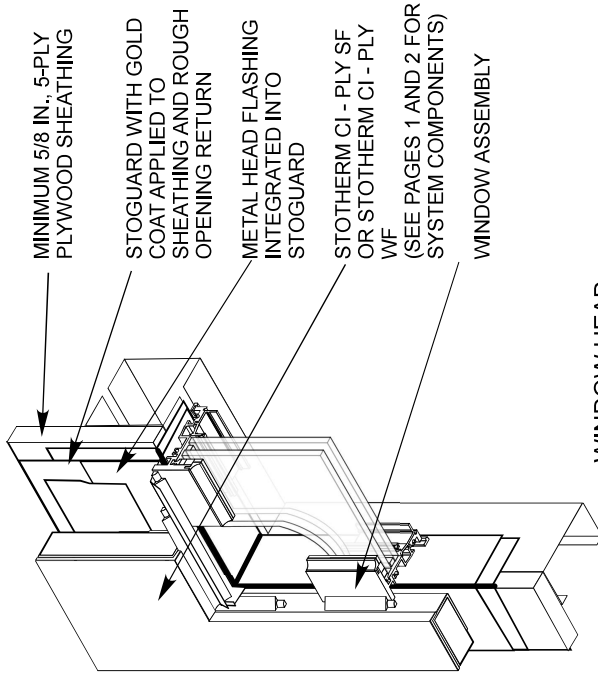
NOT TO SCALE

Drawn by: TLV



**TERMINATION AT DISSIMILAR CONSTRUCTION**

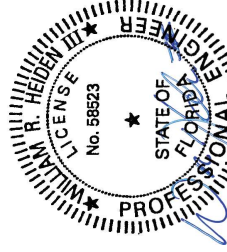
**TERMINATION AT MECHANICAL PENETRATION**



**WINDOW HEAD**

GENERAL NOTES:  
 1) STOTHERM CI INSTALLATION SAME FOR BOTH STEEL AND WOOD FRAME OPTIONS. STEEL FRAME ONLY SHOWN FOR TYPICAL DETAILS

Review by:



**PRODUCT REVISED**  
 as complying with the Florida Building Code  
 NOA-No. 23-0328.03  
 Expiration Date 06/21/2028  
 By *[Signature]*  
 Miami-Dade Product Control

**STOTHERM CI - PLY SF / WF**  
 LARGE MISSILE IMPACT RESISTANT EIFS  
 TYPICAL DETAILS

Sto Corp.  
 3800 Camp Creek Pkwy  
 Bldg. 1400, Ste 120  
 Atlanta, GA 30331

Drawing:  
 PLY SF/WF  
 PAGE 4 OF 4

March 2023

NOT TO SCALE

Drawn by: TLV